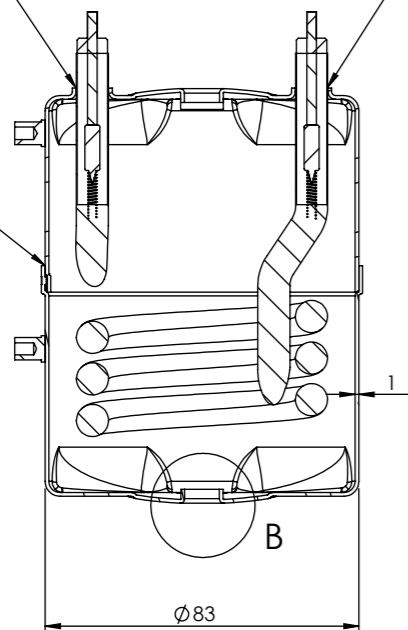


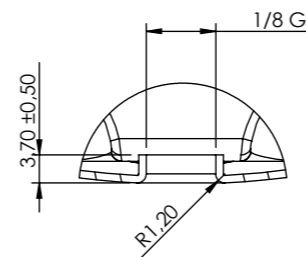
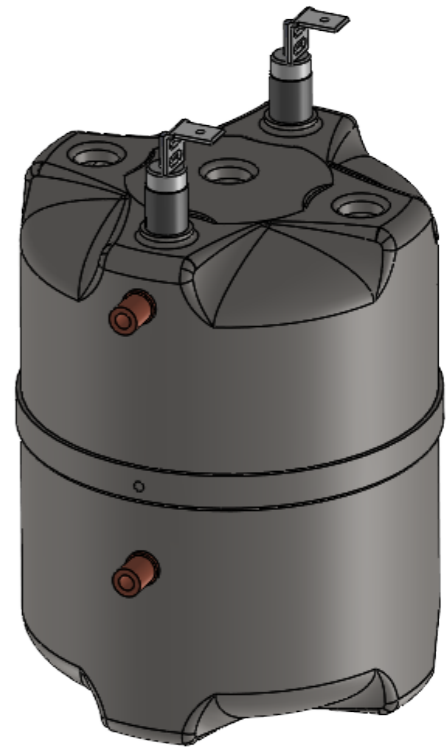
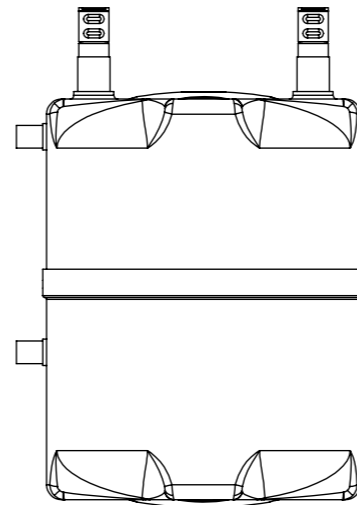
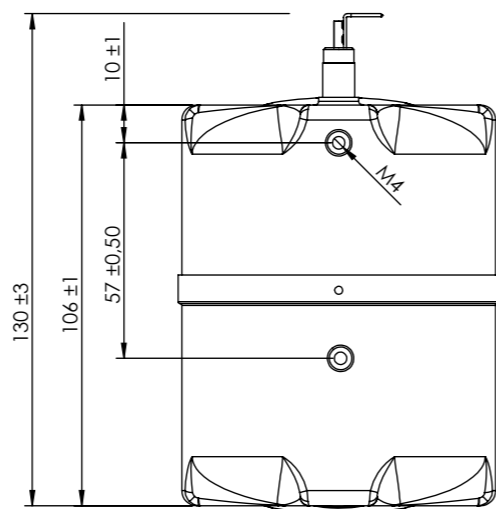
Laser Welding

Laser Welding

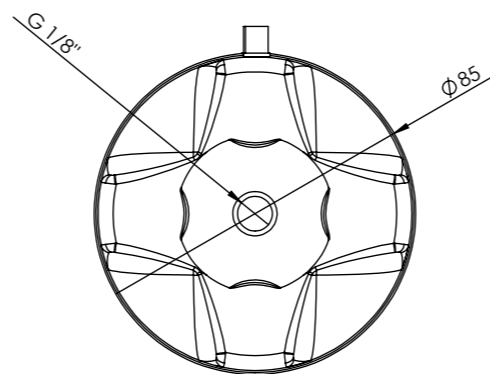
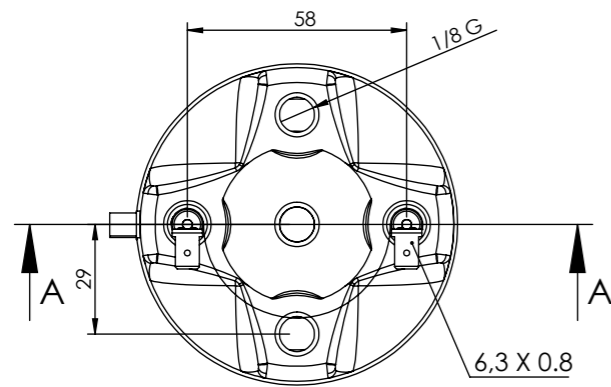
Laser Welding



SEZIONE A-A



DETTAGLIO B
SCALA 1 : 1



COD.	DESCRIPTION
54000127	APL05 230V 1500W T/F INSIDE
54000126	APL05 230V 2000W T/F INSIDE
54000129	APL05 120V 1200W T/F INSIDE

 **Beltrami Felice s.r.l.**

GENERAL TOLERANCE	MATERIAL. AISI 316L
UNI-ISO 22768 CLASSE m	FINISH.
PLATFORM.	
DESCRIPTION.	APL05 T/F INSIDE

DRAWN.	DATE:
CHECKED.	DATE:
REV. 01	DATE:
SCALE: 1:2	
DWG. NO	
APL05_54000XXX T/F INSIDE	
	A3

THE INFORMATION CONTAINED IN THIS DRAWING IS THE SOLE PROPERTY OF BELTRAMI FELICE SRL. ANY REPRODUCTION IN PART OR AS A WHOLE WITHOUT THE WRITTEN PERMISSION OF BELTRAMI FELICE SRL IS PROHIBITED.